



Hygienic Solutions



Sluicemaster Spares List 2012

Pulp Product Bedpan Disposer Range

Free delivery over

£40

to UK mainland, if less there is a charge of £15.00. (For all next working day deliveries there is an additional charge of £25.00)





Free delivery over £40 to UK mainland. If less there is a charge of £15.00. (For guaranteed next day courier delivery, there is a charge of £25.00 on all despatches).

E3212/1111

How to Order Spares

Ordering spares is easy...

1. Online spares quotations are now available, please see the service and support section of our website www.haighmed.com

From the latest spares list:

1. First identify your machine using the information on pages 4-5 (making note of serial number).
2. Find the relevant page and individual part number you are looking for.
3. Contact our spares department via phone, email or fax to place order.

Our helpful staff will guide you through the most appropriate ordering process and stock advice to enable speedy despatch of your parts.

Machines older than Sluicemaster Fours and prior to approx 1987 are still supported if we have spares stock available as on page 22. On occasions we have had to discontinue certain items on older models due to uneconomic manufacturing processes. Please also bear in mind that older machines may not be WRAS approved and have a type A air gap.

Head Office & Service Administration:-

Service: Dave Meek, Carol Marfell Morris or Ruth Holder.

Sales: Nick Dale or Mark Ward.

Kevin Gilmore - Service Engineer covering the North West.

Mark Barnes - Service Engineer covering North East.

Andrew Sewell - Service Engineer covering the South West.

Philip Sutcliffe - Service Engineer covering East Anglia.

Paul Clark - Service Engineer covering the South East.

Steve Williams - Service Engineer covering Midlands/Wales.

Jack Archibald - Service Engineer covering Scotland.

Adam Overton - Installation/Additional Support covering UK.



At your service - Our engineers are ready for your call on Tel: 01989 760230

Haigh Factory Training For Hospital Engineers

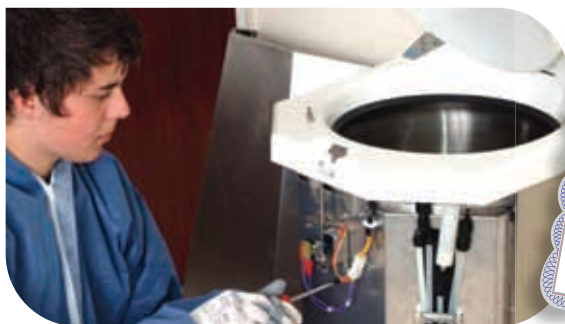
Haigh are delighted to offer the Hospital Engineer a classroom style training course on the Installation, Service & Repair and PPM checks of Haigh Sluicemasters.

The day starts with a general Welcome to Haigh followed by a factory tour and then proceeds with the training course. The course covers all the major elements including water and electrical connection, drain run, identification of the main electrical components, lid assembly and spray vent checks.

Also covered within the course is the provision of an interactive DVD, technical manuals and a spare parts booklet.

Having successfully completed the course, the day is rounded off with delegates being presented with a Certificate of Training award.

For further information on how to apply and benefit from this training course, please contact David Meek in the first instance on telephone 01989 763131 or email dmeek@haigh.co.uk



Engineer visit request

Please contact our spares/service department via phone, email or fax with the following information at hand:

1. Serial number
2. Ward location
3. Site contact and phone number
4. Details of fault
5. Order number (if applicable)

Machine Identifier

A guide to finding your serial number...



Sluicemaster Panaway®

SERIAL No.
1084C - 1 - 123

1. Under the top access cover.
Only open if machine electrically isolated.
2. Under the catch mechanism when lid open.
3. At the base of machine in rating window.

An initial identification of the machine type can be determined by its white top and blue handle.

Sluicemaster Panaway
Feb 2006 – Present.

See pages 6 and 7.



Sluicemaster SOLO®

SERIAL No.
1130A - 1 - 123

1. Under the top access cover.
Only open if machine electrically isolated.
2. Under the catch mechanism when lid open.
3. At the base of machine in rating window.

An initial identification of the machine type can be determined by its white top and light blue handle.

Sluicemaster SOLO
Feb 2009 – Present.

See pages 8 and 9.



Sluicemaster Classic+™

SERIAL No.
1132A - 1 - 123

1. Under the top access cover.
Only open if machine electrically isolated.
2. Under the catch mechanism when lid open.
3. At the base of machine in rating window.

An initial identification of the machine type can be determined by its white top and burgundy handle.

Sluicemaster Classic+
Feb 2006 – Present.

See pages 10 and 11.



Sluicemaster 'e' & Sluicemaster Classic 06

SERIAL No.
SME - 1 - 123

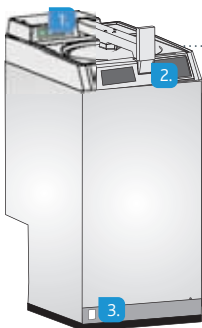
SERIAL No.
SMC - 1 - 456

1. Under the electrical access cover. Only open if machine electrically isolated
2. Under the catch mechanism when lid open.
3. At the base of machine in rating window.

An initial identification of the machine type can be determined by the large letter 'e' on the front and a white top.

Sluicemaster 'e' & Sluicemaster Classic 06
June 2002 – 2006.

See pages 12 and 16.



Sluicemaster Classic 98

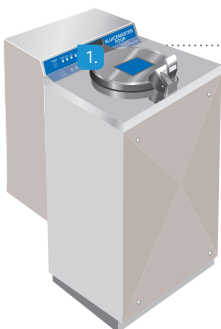
SERIAL No.
SPT - 1 - 123

1. Under the electrical access cover. Only open if machine electrically isolated
2. Under the catch mechanism when lid open.
3. At the base of machine in rating window.

An initial identification of the machine type can be determined by the lack of the letter 'e' on the front and a white top.

Sluicemaster Classic 98
1998 – 2006.

See pages 14, 15 and 16.



Sluicemaster Four

SERIAL No.
ES4 - 1 - 123

SERIAL No.
ES4 - 3 - 123

1. Serial number is in the membrane window.

An initial identification of the machine type can be determined by an all stainless steel top and a blue membrane switch.

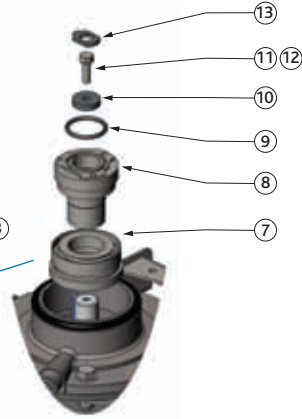
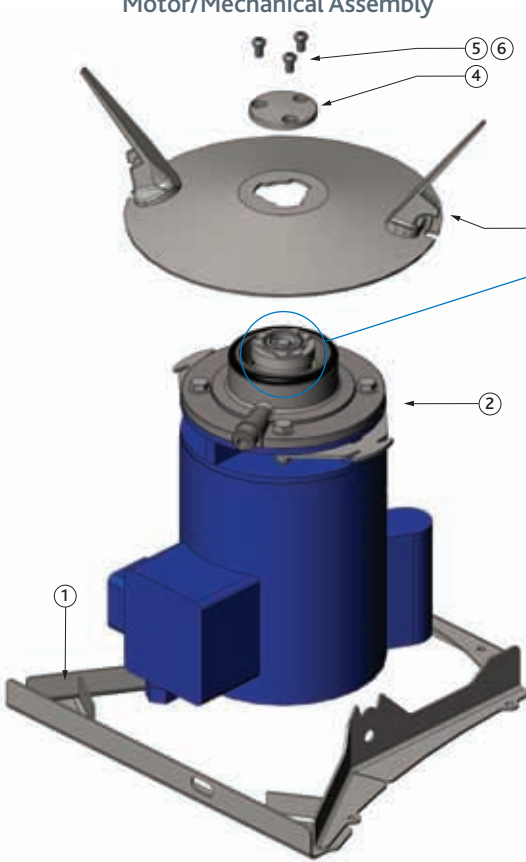
Sluicemaster Four
1990 – 1998.

See pages 17 - 22.

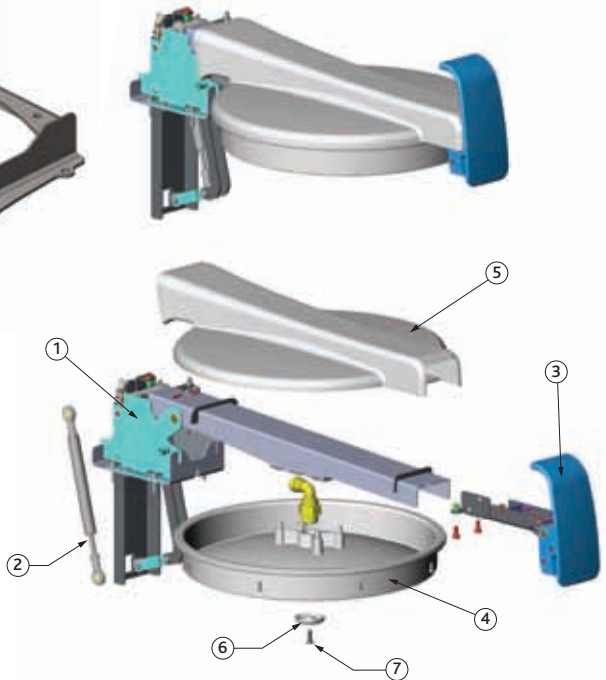
To understand what your serial number means please refer to the explanation found at the bottom of each product page.

Sluicemaster Panaway®

Motor/Mechanical Assembly



Complete Lid Assembly



PART No.	DESCRIPTION	PRICE EACH
900-029063	Sluicemaster Panaway Manual	£21.84

Mechanical Assembly

ITEM	PART No.	DESCRIPTION	QTY	UNIT PRICE
1	901-106154	Hinge Sub Assembly (SLM 1084)*	1	£40.09
2	40?-102101	1PH or 3PH Motor Assembly (Less Impeller)	1	Ref Only
3	901S101176	Impeller Sub Assembly SLM E	1	£227.23
4	901-013923	Hub Cap (SLM 1084)	1	£10.77
5	766-006110	Screw M6 x 12 Button HD TL SS	3	£1.19
6	703-006229	Washer M6 SC SQ SEC. SS	3	£0.59
7	901-013926	Seal Assembly	1	£52.30
8	901-013921	Impeller Hub D80	1	£77.18
9	961-051206	O Ring No 0265-030 Nitrile	1	£1.74
10	901-013922	Hub Washer	1	£1.71
11	761-006110	Screw Set M6 x 20 HEX T.L SS	1	£1.37
12	704-006229	MB Spring Washer SS	1	£0.67
13	901-103841	Lock Washer	1	£10.81
	801-103080	Water Tank	1	£55.34
	901-106859	Lid Seal	1	£27.40
	901S100226	Water Pump (Complete with Motor)	1	£222.04
	901-103306	Interlock Latch Assembly	1	£133.86
	901-102108	Vertical Float Switch	1	£24.41
	901-102110	Power Board - Transforma & Base	1	£137.51
	901-102126	PCB Logic Board	1	£119.48
	901-103786	3/8" Water Solenoid (Fitted to Serial No: PAN & 1084A onwards)	1	£13.38
	901-105709	3/4" Water Solenoid (Fitted to Serial No: 1084B onwards)	1	£23.27
	400-105058	3/8" to 3/4" Solenoid Conversion Kit	1	£47.68
	900-030209	Contacto	1	£38.83
	903-030154	Overload 2.7-4.2	1	£26.98
	901-103278	Membrane	1	£30.11
	902-013868	P-Trap	1	£47.71

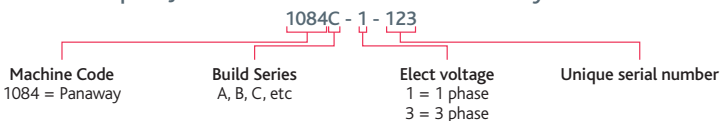
Unique Items - Panaway Hands Free Opening

ITEM	PART No.	DESCRIPTION	QTY	UNIT PRICE
	901-108615	Handle Latch Assembly	1	£171.13
	901-107597	Membrane - Blue	1	£14.08
	901-107719	PCB Logic Board	1	£141.32
	901-107967	Sensor Label	1	£2.18
	901-107583 or 902-107583	Sensor	1	£13.07

Lid Assembly

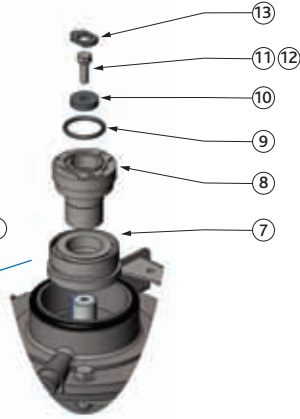
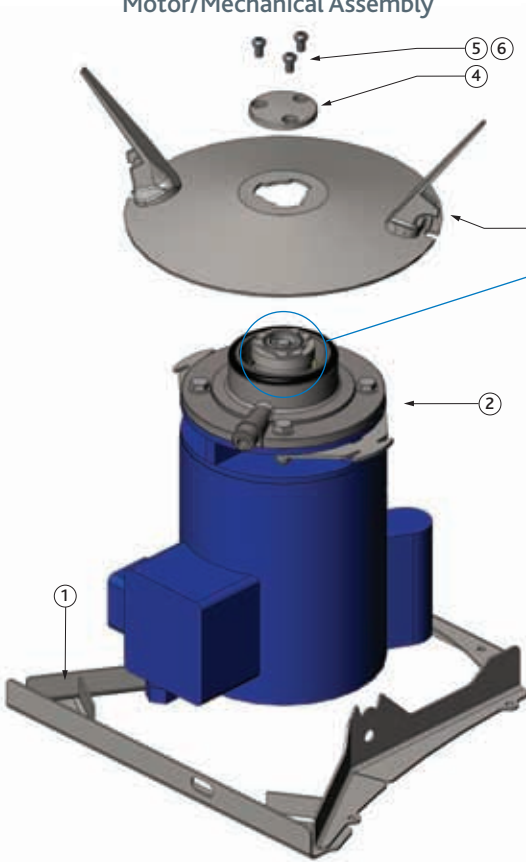
ITEM	PART No.	DESCRIPTION	QTY	UNIT PRICE
	901-102615	Complete Lid Assembly	1	Ref Only
1	901-102638	Lid Arm and Hinge Sub Assembly	1	£163.86
2	900-013706	Gas Spring	1	£63.46
3	901-103318	Handle and Adjustment Mechanism Sub Assembly	1	£52.22
4	901-100317	Lid	1	£30.08
5	901-102353	Lid Cover Moulding	1	£24.67
6	900-013522	Lid Spray Vent Screw M5 x 16 SCKT CSK	1	£2.39
7	703-006188	Screw M4 x 12 SKT CSK HD SS	8	£0.60

Information on post June 2007 serial numbers for Panaway

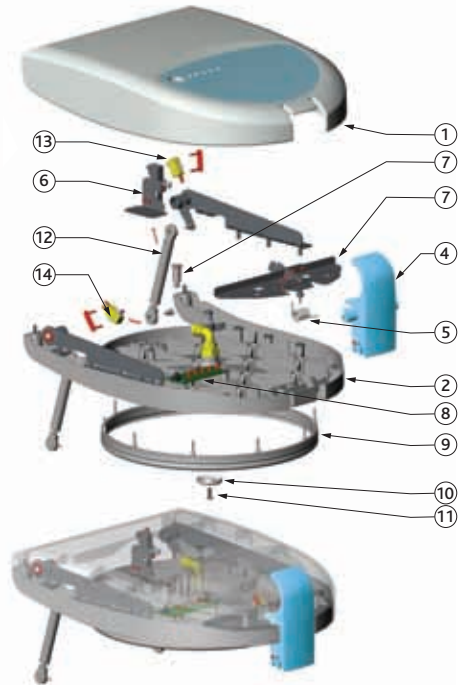


Sluicemaster SOLO®

Motor/Mechanical Assembly



Complete Lid Assembly



PART No.	DESCRIPTION	PRICE EACH
900-029069	Sluicemaster SOLO Manual	£21.84

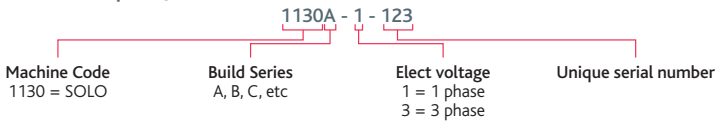
Mechanical Assembly

ITEM	PART No.	DESCRIPTION	QTY	UNIT PRICE
1	-	N/A to SOLO	-	-
2	40?-102101	1PH or 3PH Motor Assembly (Less Impeller)	1	Ref Only
3	902-101176	Impeller Sub Assembly SLM E	1	£227.23
4	901-013923	Hub Cap (SLM 1084)	1	£10.76
5	766-006110	Screw M6 x 12 Button HD TL SS	3	£2.30
6	703-006229	Washer M6 SC SQ SEC. SS	3	£0.59
7	901-013926	Seal Assembly	1	£52.30
8	901-013921	Impeller Hub D80	1	£77.18
9	961-051206	O Ring No 0265-030 Nitrile	1	£1.74
10	901-013922	Hub Washer	1	£1.71
11	761-006110	Screw Set M6 x 20 HEX T.L SS	1	£1.36
12	704-006229	MB Spring Washer SS	1	£0.66
13	901-103841	Lock Washer	1	£10.81
	400-103080	Water Tank	1	£55.34
	901S100226	Water Pump (Complete with Motor)	1	£222.04
	901-103306	Interlock Latch Assembly	1	£133.86
	901-102110	Power Board	1	£137.50
	901-103786	3/8" Water Solenoid (Fitted to Serial No: PAN & 1084A onwards)	1	£13.38
	901-105709	3/4" Water Solenoid (Fitted to Serial No: 1084B onwards)	1	£23.27
	900-030209	Contactactor	1	£38.83
	903-030154	Overload 2.7-4.2	1	£26.98

Lid Assembly

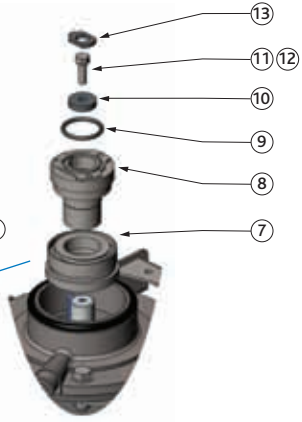
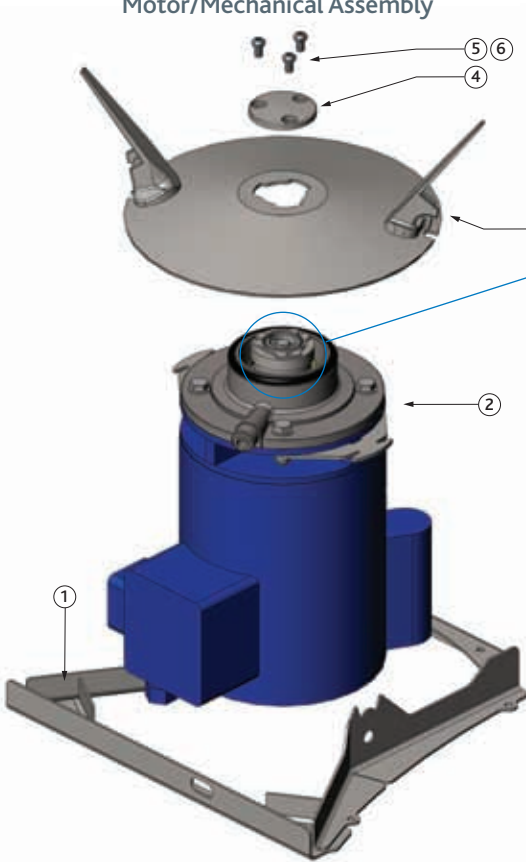
ITEM	PART No.	DESCRIPTION	QTY	UNIT PRICE
	-	Complete Lid Assembly	1	Ref Only
1	901-106564	Upper Lid Moulding	1	£21.82
2	901-106563	Lower Lid Moulding	1	£21.82
3	901-106631	Handle Sub Assembly	1	£43.13
4	901-107345	Spring Retention / Monitor A switch Assembly	1	£103.04
5	901-106567	Latch Spring	1	£6.46
6	901-106945	Lid Switch Mounting Assembly	1	£36.41
7	901-106588	Hinge Pin	1	£18.08
8	901-106625	User Interface PCB	1	£38.21
9	901-106594	Lid Seal Moulding	1	£21.31
10	900-013486	Lower Spray Vent Moulding	1	£6.68
11	900-013522	Lid Spray Screw M5 x 16 SCKT CSK	1	£2.39
12	901-106612	Gas Spring	1	£21.82
13	900-003940	Switch Burgess	1	£6.39
14	900-030183	Microswitch	1	£7.29

Information on post June 2007 serial numbers for SOLO

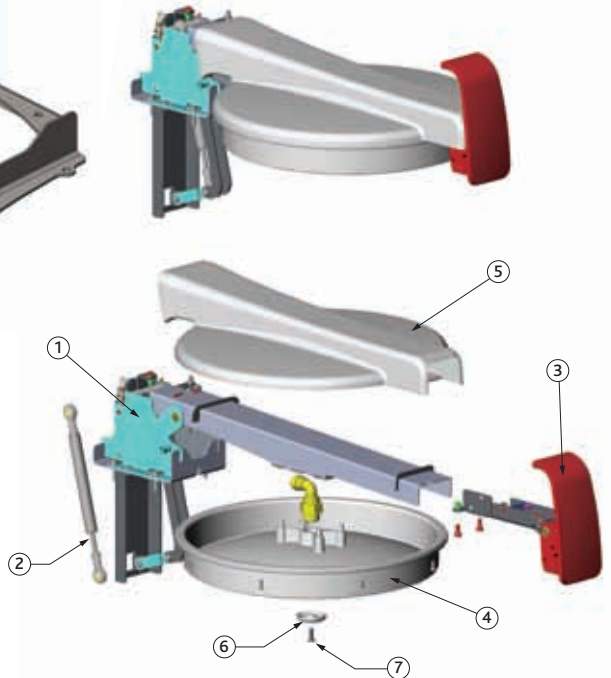


Sluicemaster Classic+™

Motor/Mechanical Assembly



Complete Lid Assembly



PART No.	DESCRIPTION	PRICE EACH
900-029068	Sluicemaster Classic+ Manual	£21.84

Mechanical Assembly

ITEM	PART No.	DESCRIPTION	QTY	UNIT PRICE
1	901-106154	Hinge Sub Assembly	1	Ref Only
2	40?-102101	1PH or 3PH Motor Assembly (Less Impeller)	1	Ref Only
3	901S101176	Impeller Sub Assembly	1	£227.23
4	901-013923	Hub Cap	1	£10.76
5	766-006110	Screw M6 x 12 Button HD TL SS	3	£1.19
6	703-006229	Washer M6 SC SQ SEC. SS	3	£0.59
7	901-013926	Seal Assembly	1	£52.30
8	901-013921	Impeller Hub D80	1	£77.18
9	961-051206	O Ring No 0265-030 Nitrile	1	£1.74
10	901-013922	Hub Washer	1	£1.71
11	761-006110	Screw Set M6 x 20 HEX T.L SS	1	£1.37
12	704-006229	M8 Spring Washer SS	1	£0.67
13	901-103841	Lock Washer	1	£10.82
	400-103080	Water Tank	1	£55.34
	901-100226	Water Pump (Complete with Motor)	1	£222.04
	901-103306	Interlock Latch Assembly	1	£133.86
	901-102108	Vertical Float Switch	1	£24.41
	901-102110	Power Board	1	£137.51
	902-102126	PCB Logic Board	1	£119.48
	901-105709	3/4" Water Solenoid (Fitted to Serial No: 1084B onwards)	1	£23.28
	900-030209	Contactora	1	£38.83
	903-030154	Overload 2.7-4.2 to suit CSM Motor	1	£26.98
	903-030157	Overload to suit 3ph Huco Motor	1	£26.98
	902-103278	Membrane - Red	1	£30.11
	902-103868	P-Trap	1	£47.71

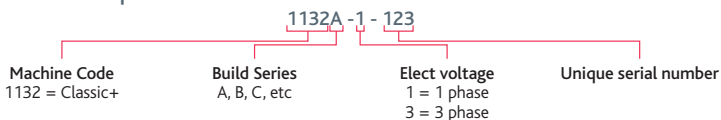
SEAL KIT

ITEM	PART No.	DESCRIPTION	QTY	UNIT PRICE
'A'	400-061002	Pulveriser Seal Kit	1	£66.10
INCLUSIVE IN KIT				
5		M6 x 12 Screw HDTLSS	3	
11		Set Screw M6 x 16	3	
9		O Ring	1	
7		Mechanical Seal Assembly	1	
10		Hub Washer	1	
4		Hub Cap	1	
6		M6 Spring Washer	3	

Lid Assembly

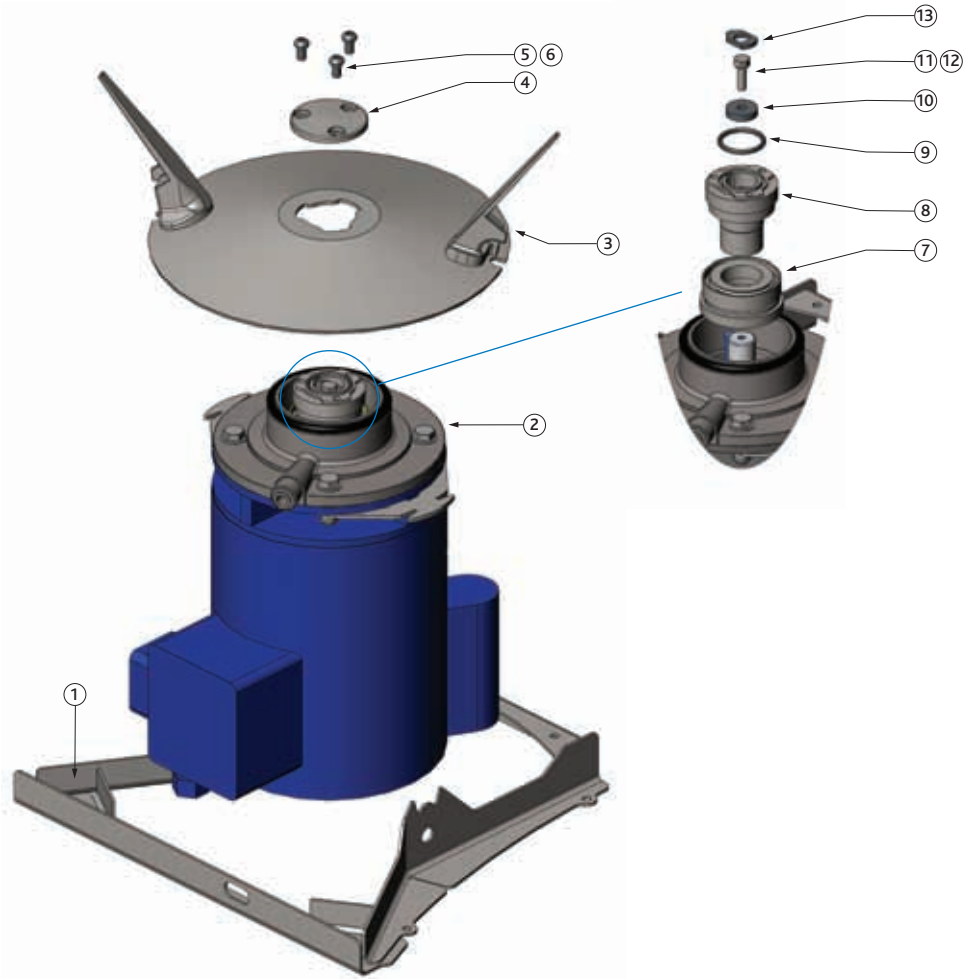
ITEM	PART No.	DESCRIPTION	QTY	UNIT PRICE
	901-102615	Complete Lid Assembly	1	Ref Only
1	901-102638	Lid Arm and Hinge Sub Assembly	1	£163.86
2	900-013706	Gas Spring	1	£63.46
3	902-103318	Handle and Adjustment Mechanism Sub Assembly	1	£52.22
4	901-100317	Lid	1	£30.08
5	901-102353	Lid Cover Moulding	1	£24.67
6	900-013522	Lid Spray Vent Screw M5 x 16 SCKT CSK	1	£2.40
7	703-006188	Screw M4 x 12 SKT CSK HD SS	8	£0.60

Information on post March 2008 serial numbers for Classic+



Sluicemaster 'e' / Classic 06

Sluicemaster E (2002 Onwards) and Sluicemaster Classic+ 06 Common Spares



PART No.	DESCRIPTION	PRICE EACH
900-029059	Sluicemaster 'e' Manual	£21.84
900-029065	Sluicemaster Classic 06 Manual	£21.84

SERIAL No.
SME - 1 - 123

SERIAL No.
SMC - 1 - 456

Mechanical Assembly

ITEM	PART No.	DESCRIPTION	QTY	UNIT PRICE
1	901-100154	Hinge Sub Assembly	1	Ref Only
2	40?-013920	1PH or 3PH Motor Assembly (Less Impeller)	1	Ref Only
3	901S101176	Impeller Sub Assembly	1	£227.23
4	901-013923	Hub Cap	3	£10.76
5	766-006110	Screw M6 x 12 Button HD TL SS	3	£1.19
6	703-006229	Washer M6 SC SQ SEC. SS	1	£0.59
7	901-013926	Seal Assembly	1	£52.30
8	901-013921	Impeller Hub D80	1	£77.18
9	961-051206	O Ring No 0265-030 Nitrile	1	£1.74
10	901-013922	Hub Washer	1	£1.71
11	761-006110	Screw Set M6 x 20 HEX.T.L SS	1	£1.37
12	704-006229	M8 Spring Washer SS	1	£0.67
13	901-103841	Lock Washer	1	£10.82
	900-030208	Water Solenoid Valve	1	£23.28
	900-030209	Contact	1	£38.83
	903-030154	Overload 2.7 - 4.2 (1ph)	1	£37.51
	904-030154	Overload 1.2 - 1.9 (3ph)	1	£39.01
	901S100226	Water Pump (complete with motor)	1	£222.04
	901-013938	In Line Valve Sub Assembly	1	£12.52
	901-013937	Air Vent Valve Sub Assembly	1	£10.60
	901-013868	P-Trap (Black)	1	£51.53
	900-030183	Micro Switch	1	£7.35
	900-030162	Level Switch Assembly	1	£23.58
	900-003940	Micro Switch (cam operated)	1	£6.59
	902-013761	EXTENSION HOSE 1000mm	1	£25.08
	903-013761	EXTENSION HOSE 2000mm	1	£37.83
	901-013915	Latch Assembly	1	£162.36

Unique Items - Sluicemaster 'e'

ITEM	PART No.	DESCRIPTION	QTY	UNIT PRICE
	903-013841	Top Cover/Membrane Sub Assembly	1	£51.53
	901-030235	New PCB	1	£257.98

Unique Items - Sluicemaster Classic 06

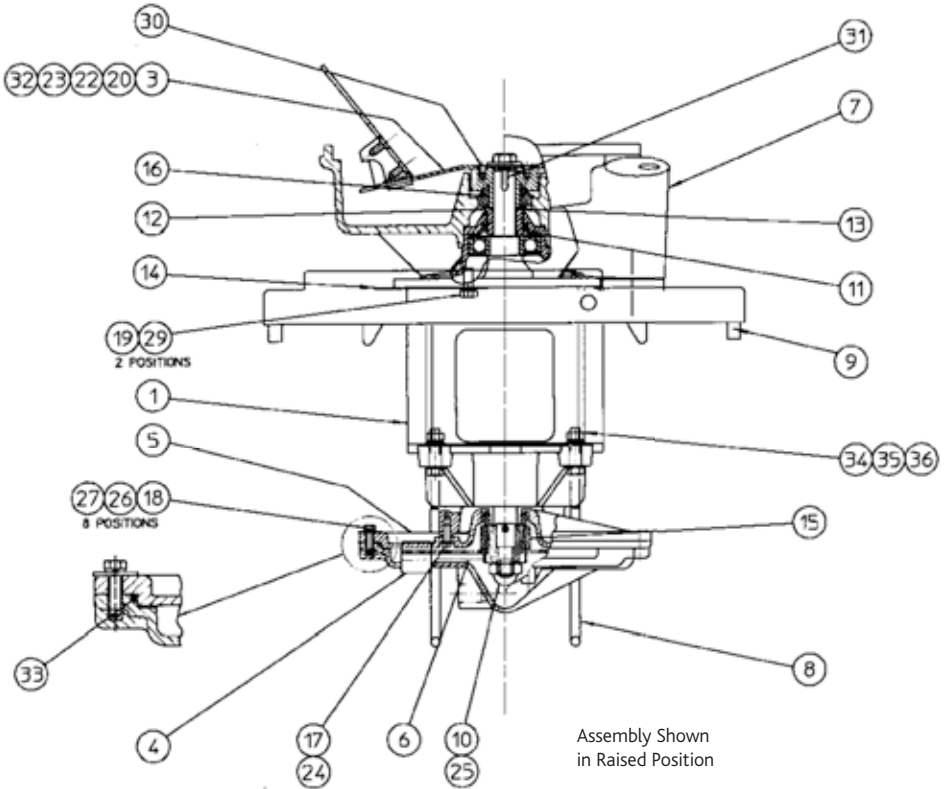
ITEM	PART No.	DESCRIPTION	QTY	UNIT PRICE
	900-013841	Membrane + Top Cover	1	£51.53
	902-030235	Printed Circuit Board	1	£257.98

SEAL KIT

ITEM	PART No.	DESCRIPTION	QTY	UNIT PRICE
'A'	400-061002	Pulveriser Seal Kit	1	£63.26
INCLUSIVE IN KIT				
5		M6 x 12 Screw	3	
11		Set Screw M6 x 16	1	
9		O Ring	1	
7		Mechanical Seal Assembly	1	
10		Hub Washer	1	
4		Hub Cap	1	
6		M6 Spring Washer	3	

Sluicemaster Classic 98

Sluicemaster Classic Spares List (SN SPT-1-123 or SPT-3-123 onwards)



PART No.	DESCRIPTION	PRICE EACH
900-029016	Sluicemaster Classic 98 Manual	£21.84

SERIAL No.
SPT - 1 - 123

SERIAL No.
SPT - 3 - 123

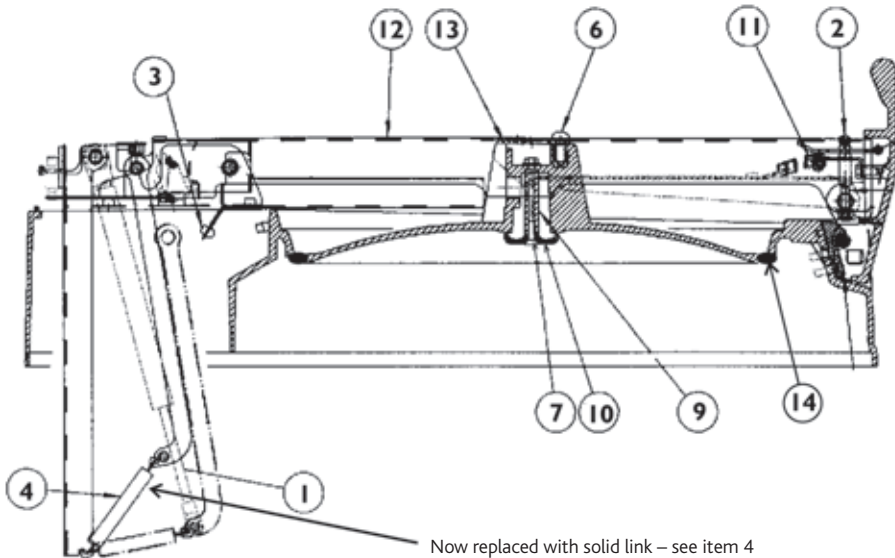
Mechanical Assembly

ITEM	PART No.	DESCRIPTION	QTY	UNIT PRICE
3	902S016644	Impeller Assembly	1	£331.19
4	900-016927	Pump Body Sub-Assembly	1	£114.60
5	901-016928	Pump Cover Moulding	1	£57.53
6	901-100192	Impeller	1	£57.06
11	900-016317	Spacer	1	£9.98
12	901-002154	Water Thrower	1	£3.15
	901-013938	In Line Valve Assembly - (Clear Ball)	1	£12.52
	901-013937	Air Vent Sub Assembly - (Green Ball)	1	£10.60
	628-000139	Tube 8 (Per Meter)	1	£5.02
	900-013568	Hopper Seal (Lower)	1	£24.45
	900-030183	Lid Monitoring Switch	1	£7.51
	900-003940	Lid Interlock Switch	1	£6.58
	900-030162	Level Sensor Switch	1	£23.58
	900-030208	Solenoid Valve	1	£23.28
	900-030179	Printed Circuit Board	1	£257.98
	900-013841	Membrane + Top Cover	1	£53.85
	900-030209	Contactar	1	£38.80
	902-030154	Overload 1ph	1	£35.89
	900-030154	Overload 3ph	1	£37.33
	900-013813	Latch Assembly	1	£39.88
	901-107959	Retro Fit Float Switch Assembly	1	£53.81

KITS

ITEM	PART No.	DESCRIPTION	QTY	UNIT PRICE
'A'	410-016950	Top Seal Kit	1	£74.58
INCLUSIVE IN KIT				
16		Mechanical Seal Assembly	1	
20		Screw M10 x 20 Hex Set T Lok	1	
22		Clamp Washer	1	
23		Sealing Washer	1	
31		Key 5 x 5 x 19	2	
32		Nyltite Seal M10	1	
'B'	411-016950	Bottom Seal Kit	1	£51.52
INCLUSIVE IN KIT				
10		Dome Nut Heyco No. 009748	1	
15		Mechanical Seal Assembly	1	
17		Screw M5 x 16 Sckt Button Hd	3	
18		Screw M5 x 20 Hex Set	8	
24		Washer 5mm Selon	3	
25		Washer 12mm Selon	1	
26		Washer 4.76 x 19 x 14 Mudwing	8	
27		Washer 5 Dia Spring	8	
33		Pump Seal	1	

Sluicemaster 98, Classic 06 & Sluicemaster 'e' Lid Assembly



Lid Assembly

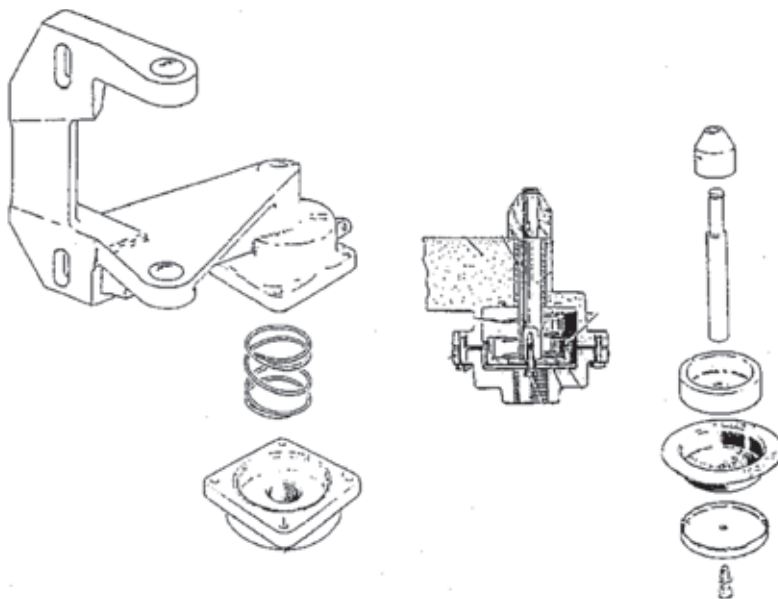
SERIAL No.
SPT - 1 - 123

SERIAL No.
SME - 1 - 123

SERIAL No.
SMC - 1 - 456

ITEM	PART No.	DESCRIPTION	QTY	UNIT PRICE
1	900-013706	Gas Spring	1	£63.46
2	900-013736	Gromet	1	£0.99
3	900-013829	Blind Gromet	1	£0.64
4	400-102916	Tension Spring Conversion Kit	1	£27.42
5	728-006118	Set Screw M8 x 25	5	£1.15
6	704-006177	Set Screw M6 x 16	3	£0.68
7	900-013522	Spray Cap Screw	1	£2.47
9	900-013674	Spray Bar	1	£4.27
10	900-013486	Lower Spray Vent	1	£6.88
11	704-006357	Lid Handle Spring	1	£3.34
12	402-013740	Lid Assembly Complete 98 Model (Low Slot - Black Handle)	1	£357.68
12	901S013740	Lid Assembly Complete 98 Model (High Slot - Black Handle)	1	£357.68
12	902S013740	Lid Assembly Complete 98 Model (High Slot - White Handle)	1	£357.68
12	906-013740	Lid Assembly Complete 'E' & 06 Model (High Slot - White Handle)	1	£357.68
13	900-013742	Shim 2.5mm	1	£4.81
14	900-013647	Lid Sealing Ring	1	£24.91
	400-013862	Lid / Hose Assembly - Classic	1	£61.66
	403-013862	Lid / Hose Assembly - E	1	£61.66
	401-013990	Lid Hose & Fitting - Classic	1	£29.05
	404-013990	Lid Hose & Fitting - 'e'	1	£29.05

Sluicemaster Four 1990-1998 Bellofram Assembly



Bellofram Assembly

PART No.	DESCRIPTION	UNIT PRICE
900-010710	Spring	£3.82
900-010709	Rolling diaphragm	£20.70
900-013272	Cylinder Cap	£43.91
401-016387	Bellofram Internals Service Kit	£140.75
400-016387	Bellofram Assembly - April 1990 onwards	£410.41

(Limited Stock)

Pre 1990 Bellofram's

Pre 1990 Bellofram Assembly

PART No.	DESCRIPTION	UNIT PRICE
400-010711	Bellofram Internals Service Kit	£140.75
900-010711	Bellofram Assembly (Complete)	£410.41

(Limited Stock)



PART No.	DESCRIPTION	PRICE EACH
900-029001	Sluicemaster 4 Manual	£21.85

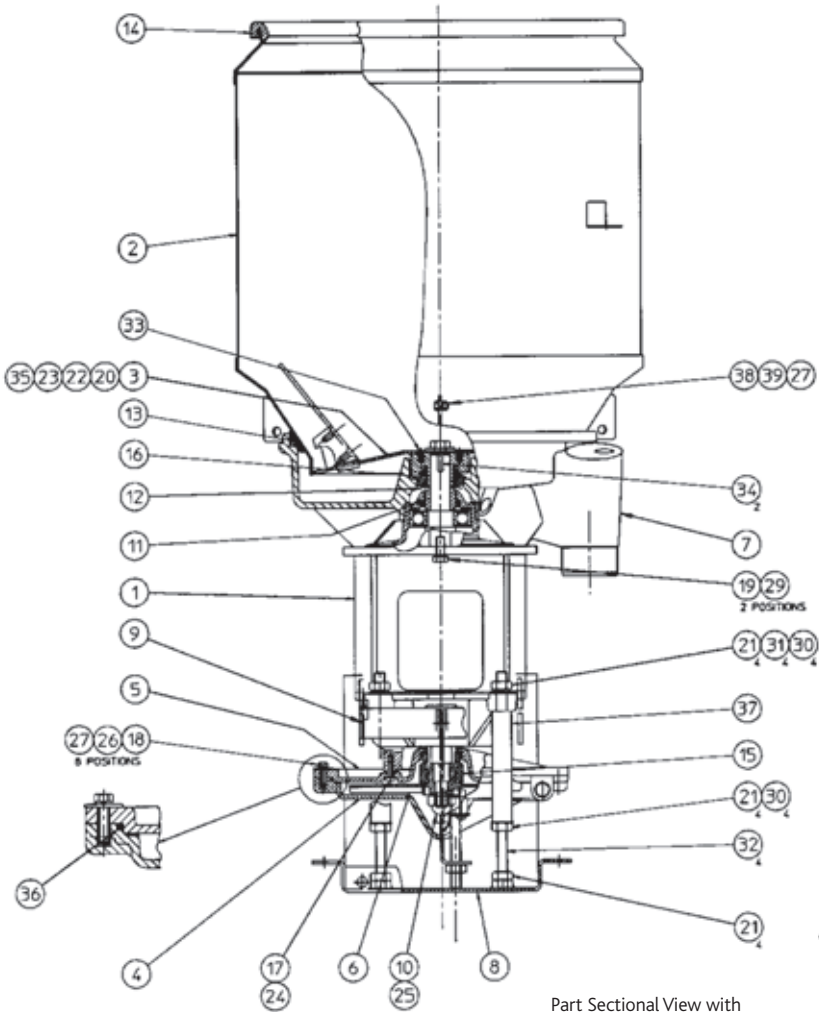
Lid Assembly

ITEM	PART No.	DESCRIPTION	QTY	UNIT PRICE
1	900-016674	Lid	1	OBSOLETE
2&3	900-013521	Latch Assembly	1	£82.80
4	900-010698	Lower Lid	1	£37.13
5	905-011698	Spray Body	1	£25.60
	902-016369	Lid Assembly Complete	1	OBSOLETE
	901-011736	Tool Spray Body	1	£47.66
	900-013486	Lower Lid Spray	1	£6.88
	900-013522	Lid Spray Screw	1	£2.47

KITS

ITEM	PART No.	DESCRIPTION	QTY	UNIT PRICE
'A'	400-061008	Lid Spray/Vent Service Kit	1	£65.41
INCLUSIVE IN KIT				
6		Lower Spray Vent	1	
7		Roller	1	
16	900-016305	Lid Sealing Ring	1	£31.48
20		Circlip	1	
21		Sealing Washer	1	
25		Csk Hd Screw M5 x 16	1	
'B'	400-061009	Handle/Latch Service Kit	1	£48.10
INCLUSIVE IN KIT				
8		Spring Housing	1	
9		Location Pin	1	
10		Spring Retaining Pin	2	
11		Roller	1	
12		Roller	1	
13		Spring Guide Pin	1	
17		Compression Spring	1	
18		Compression Spring	1	
19		Compression Spring	1	
24		Hex Hd Screw M6 x 16 (Tuf Loc)	4	
27		Plain Washer 6mm	4	

Sluicemaster Four Electronic Serial No. ES4 Onwards



Part Sectional View with
Assembly in Raised Position

Mechanical Assembly

ITEM	PART No.	DESCRIPTION	QTY	UNIT PRICE
3	902S016644	Impeller Assembly	1	£331.19
4	400-016927	Pump Body	1	£114.60
5	900-016928	Pump Cover Moulding	1	£57.53
6	901-100192	Impeller	1	£57.06
11	900-016317	Spacer	1	£9.98
12	901-002154	Water Thrower	1	£3.15
13	900-013568	Hopper Seal	1	£24.45
14	900-010316	Hopper Seal	1	£110.85
	900-003940	Lid Switch		£6.59
	900-016484	H P Ball Valve Seat		£0.52
	900-018779	Non Return Valve		£3.11
	902-018779	Non Return Valve (to Bellofram)		£5.32
	901-016960	1/2" Ball Valve L P		£28.67
	900-030162	Level Switch Assembly		£23.58
	900-030137	Membrane Switch/Label		£35.92
	900-030136	Printed Circuit Board		£149.14
	900-030153	Contacto 1 Ph And 3 Ph		£30.59
	902-030154	Overload 1 Ph		£35.89
	900-030154	Overload 3 Ph		£37.33

KITS

ITEM	PART No.	DESCRIPTION	QTY	UNIT PRICE
'A'	410-016950	Top Seal Kit	1	£74.58
INCLUSIVE IN KIT				
16		Mechanical Seal Assembly	1	
22		Clamp Washer	1	
23		Sealing Washer	1	
34		Key 5 x 5 x 19	2	
35		Nyltite Seal M10	1	
'B'	411-016950	Bottom Seal Kit	1	£51.52
INCLUSIVE IN KIT				
10		Dome Nut Heyco No. 009748	1	
15		Mechanical Seal Assembly	1	
17		Screw M5 x 16 Sckt Button Hd	3	
18		Screw M5 x 20 Hex Set	8	
24		Washer 5mm Selon	3	
25		Washer 12mm Selon	1	
26		Washer 4.76 x 19 x 14 Mudwing	8	
27		Washer 5 Dia Spring	9	
36		Pump Seal	1	

Sluicemaster Spares

Sluicemaster Four Spares
from April 1990 – 1998

PART No.	DESCRIPTION	UNIT PRICE
900-016650	Impeller Blades (2 Off Req'd)	£38.20
706-006110	Screw Csk Head M6 x12 SsTufk (4 Off Req'd)	£1.15
900-016589	Extractor Tool	£112.12
901-003925	Contactor 1 Ph Pcs 1.00 EN	£29.84
902-003927	Overload 1 Ph 5 AMP - T11-211	£14.21
901-003949	Timer	£108.61
902-003571	Herga Pressure Switch 0014 (No Water)	£26.14
903-003571	Herga Pressure Switch 0022 (Drain Block)	£26.14
900-003866	Fuse	£1.21
901-030093	Neon Indicator (Red)	£22.16
900-030093	Neon Indicator (Amber)	£22.16
911-003717	Push Button Flush Green	£8.78
900-003356	Push Button Reset Actuator With Nut	£7.69
900-016484	H P Ball Valve Seat	£0.53
901-016960	Ball Valve 1/2" (L P)	£28.67
900-012144	Ball Valve Float	£1.29
900-018779	Non Return Valve	£3.20
902-018779	Non Return Valve (to Bellofram)	£5.49
900-013213	Restrictor (2) to Drain Block	£13.54
903-016155	Restrictor	£9.70
900-012135	Air Bell	£32.60
703-006120	Panel Screw M5 Pan Head	£0.69
900-012190	Spring - Entex 603	£12.83
626-000139	Rubber Hose 2 Braid 12.7 Bore	£16.05
631-000131	Tube - Clear PVC 8 I/D x 1.5 Wall	£1.51
608-000131	Tube - Clear PVC 1/D x 6 O/D	£2.19
701-006082	Jubilee Clip - Size OX	£1.70
702-006082	Jubilee Clip - Size 3	£2.54
703-006082	Jubilee Clip - Size 00	£1.81
*124-031062	Contactor	£30.57
*121-031063	Overload (1.8-2.6 AMP) 3 Ph	£38.20
*119-031063	Overload (3.5-5.5 AMP) 1 Ph	£38.20
*100-031063	Overload (5.5-9.0 AMP) 1 Ph	£38.20
900-010792	Selon Washer	£1.65
900-010791	Sealing Washer	£20.66
900-007086	Sealing Washer (Lower)	£1.79
900-018172	Ball Valve Insert (HP)	£1.41
900-018192	Ball Valve Insert (LP)	£2.61
900-018173	Ball Valve Rubber Seat	£2.75
901-013868	P-Trap	£50.52

* These items replace Square D versions and are to be fitted as a set i.e. Contactor and Overload.

Sluicemaster Spares
Pre –1990

PART No.	DESCRIPTION	UNIT PRICE
900-010702	Flange Sealing Ring	£24.71
900-012135	Water Level Warning Bell	£31.65
900-018338	Hopper Vent Conn Stub Assembly	£62.07
703-006120	Panel Screw M5 x 10 Pn Head	£0.67
900-012180	Crouzet Lid Microswitch	£110.21
900-003473	Burgess Lid Microswitch	£34.21
900-008304	Goyen Pressure Switch	£67.75
900-012226	Herga Pressure Switch	£23.33
901-002830	Berstein Lid Microswitch	£52.89
900-018999	Berstein Lid Microswitch (Sub Assy)	£60.02
901-003505	Aux Contactor Block	£11.52
907-003523	Overload T116 (1 Phase)	£46.58
904-003523	Overload T116 (3 Phase)	£46.58
900-012223	Start Button Assembly (1976 - 1987)	£28.77
900-012926	Alba Bulb 48V (for Above)	£8.52
900-012222	Red Neon Indicator (1976 - 1987)	£4.63
900-018255	Sbc Pilot Light 10W	£6.38
400-018255	Lamp Holder (for Above)	£10.45
900-012380	5 AMP Fuse	£1.37
900-010537	Red Lens (1972 - 1976)	£3.33
900-011259	Green Lens (1972 - 1976)	£3.33
900-011571	Drain Jet	£11.37
900-016270	Release Key	£41.55
900-018779	Non Return Valve	£3.11
900-018269	Non Drive End Bearing	£42.49
902-010696	Lid Seal	£43.55
400-011415	Haigh Pump Repair Kit	£164.15
900-005335	Impeller Extractor	£190.57
901-018253	Cap Nut Spanner	£108.41
900-012204	Drive Belt A35	£16.36
900-011549	Connecting Elbow	£9.62
902-012095	Cap Nut (Metric)	£39.24
901-012095	Cap Nut (Imperial)	£39.24
900-012143	3/4" Ball Valve Assembly	£62.91



Sluicemaster prior to 1990 were much larger with a beer pump style handle.

Leaders in Bedpan Disposal

Infection control, sustainability or cost management - whatever your need our innovative range of waste disposal units tackles many of the major issues affecting healthcare today.



Our Sluicemaster range of bedpan disposers – SOLO®, Classic+™ and Panaway® offer real and measurable benefits:

- Fast and efficient cycle times
- Bugban® – active antimicrobial built in
- Reduced water and energy usage costs
- Panaway with NEW hands-free opening and Auto Start
- Dedicated Service and Support

Find out how Haigh can make a real difference to your waste control strategies

Tel: 01989 760200

info@haigh.co.uk www.haighmed.com

The Haigh Engineering Company Limited
Alton Road, Ross-on-Wye, Herefordshire HR9 5NG

www.haighmed.com

HAIGH

Hygienic Solutions

SUITABLE FOR ALL LEADING
PULP PRODUCTS



Hygienic Solutions



NOW AVAILABLE Sluicemaster Installation Service by a Haigh Qualified Engineer.

Our qualified engineers will come to your premises and manage the installation process, including a site survey to locate best position for machine prior to installation.

Installation procedure will consist of the following:

1. Position machine into designated room
2. Fix machine to floor taking into account under floor heating
3. Connect inlet water to mains water supply via suitable isolation valve
4. Connect waste drainage to soil pipe
5. Electrically connect to main isolator supplied by others
6. Fully commission
7. User Training.

Contact us NOW to learn more about this great service and to speak to our teams:

Tel: 01989 760200
or email: service@haigh.co.uk

www.haighmed.com

